

## TECHNICAL INFORMATION

AVX-60/VHF is a Broadcast Power Amplifier designed for both digital and analog applications. The unit is the state of the art in terms of easy assembly, reliability and performances. The complete unit can assure the compliance to all relevant international standards.



- ◆ A class Power Amplifier
- ◆ 60 Wps Out
- ◆ 18 Wrms Out DVB-T
- ◆ DTV (8 VSB): 45 Wrms
- ◆ Broadband (175-225 MHz)
- ◆ Easy maintenance
- ◆ Strong mechanical structure

## TECHNICAL SPECIFICATIONS

### Electrical Data

<b>Voltage Supply</b>	24 V DC (External AC power supply)
<b>Power Consumption</b>	160 W max
<b>Current Consumption</b>	6 A max @ 24 V
<b>Operating Temperature</b>	0 to +45 °C
<b>Humidity</b>	Up to 90% (non condensing)
<b>Gain</b>	11 dB nom. ±2dB
<b>Power Out ( 1dB compression)</b>	Min. 35W (Typ. 38W)
<b>Input Return Loss</b>	Min. -16dB (Typ. -20dB)
<b>Output Return Loss</b>	Min. -18dB (Typ. -20dB)
<b>Load Mismatch (CW 30W F0 860MHz VSWR=2:1)</b>	No degradation
<b>P<sub>out</sub> Common Amplif.</b>	60 W Ps IMD < -46dB
<b>P<sub>out</sub> DVB-T</b>	18 Wrms shoulder < -36dBc (with precorrection)
<b>DTV (8 VSB)</b>	25 Wrms
<b>P<sub>out</sub> PEP</b>	65 W IMD < -27 dBc
<b>Power Input</b>	3 W
<b>Size:</b>	16.7"x3.49"x8"

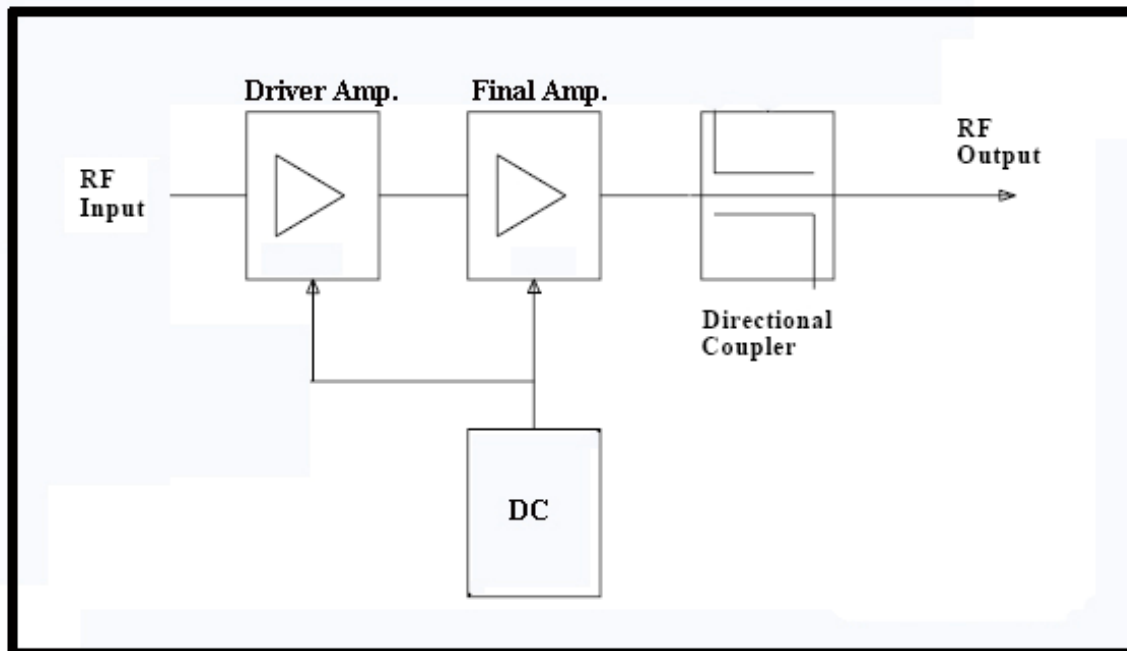
# AVX-60/UHF

## 60 W PROFESSIONAL TV UHF LINEAR AMPLIFIER

### Mechanical data and Interfaces

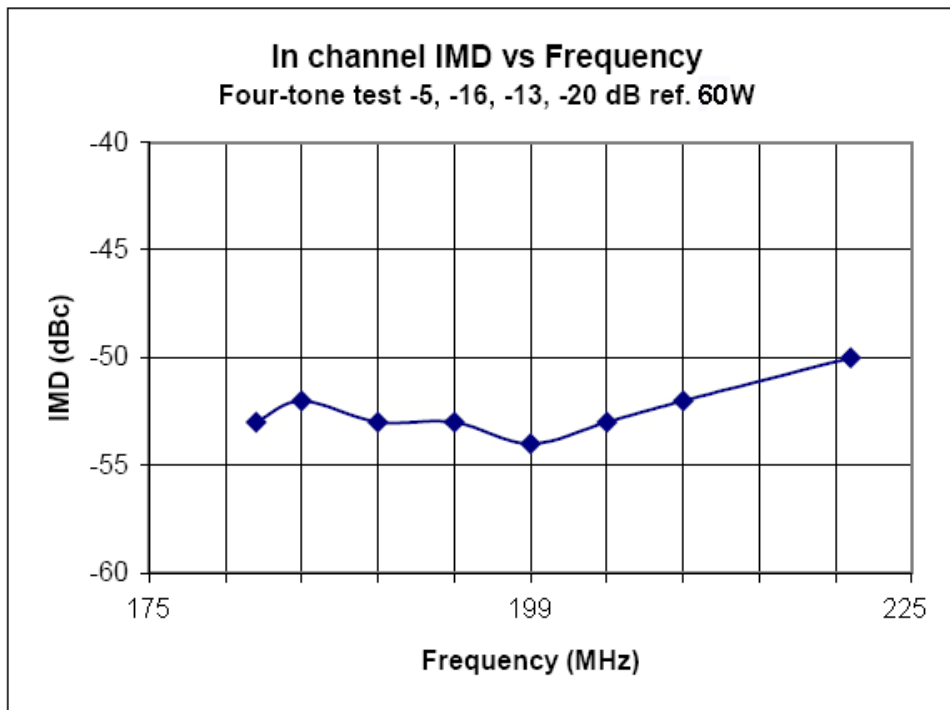
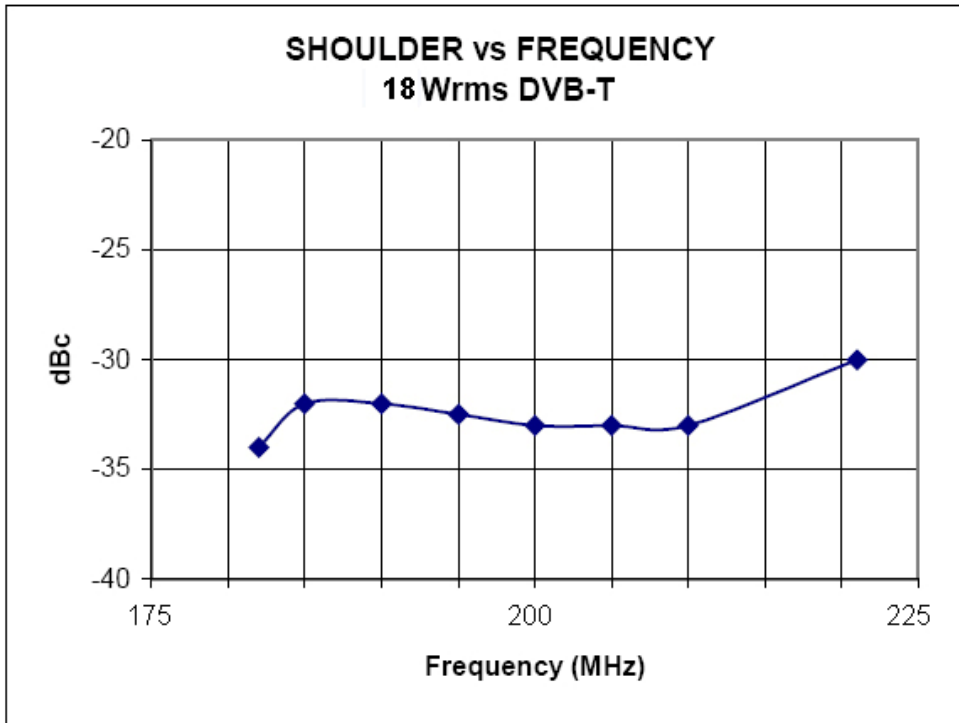
<b>Dimensions</b>	19" 3HU std 400mm depth
<b>Weight</b>	15 lbs
<b>RF in</b>	BNC connector rear panel
<b>RF out</b>	N connector rear panel
<b>RF mon</b>	N/A
<b>RS 232</b>	N/A
<b>RS 485</b>	N/A

### Block Diagram



# AVX-60/UHF

## 60 W PROFESSIONAL TV UHF LINEAR AMPLIFIER

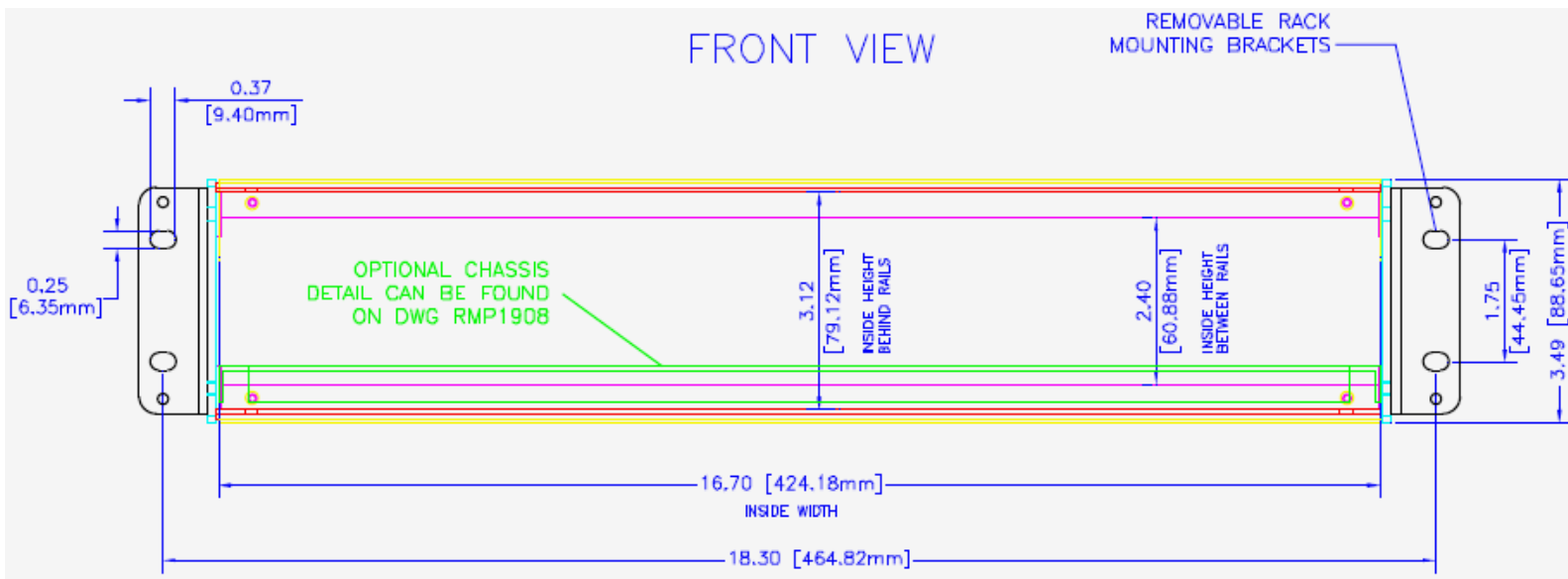


# AVX-60/UHF

## 60 W PROFESSIONAL TV UHF LINEAR AMPLIFIER



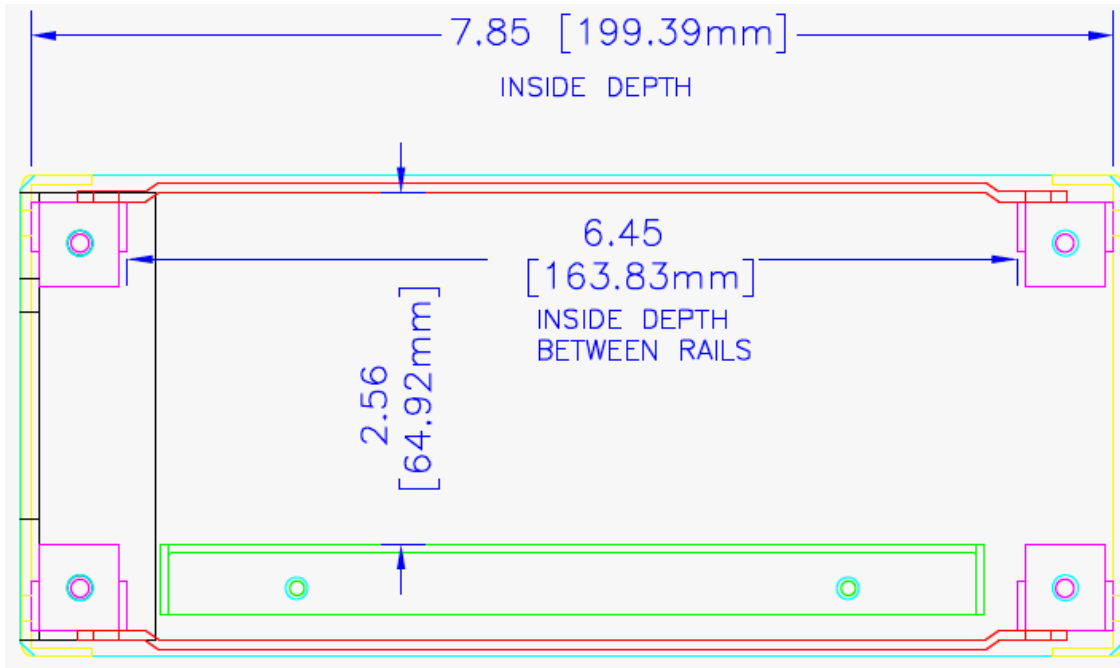
### Mechanical Drawings



### SIDE VIEW

# AVX-60/UHF

## 60 W PROFESSIONAL TV UHF LINEAR AMPLIFIER



TOP VIEW

