

TECHNICAL INFORMATION

AVX-5/UHF is a Broadcast Power Amplifier designed for both digital and analog applications. The unit is the state of the art in terms of easy assembly, reliability and performances. The complete unit can assure the compliance to all relevant international standards.



- ◆ A class Power Amplifier
- ◆ 5 Wps Out
- ◆ 1 Wrms Out DVB-T
- ◆ DTV (8 VSB): 4Wrms
- ◆ Broadband (470-860 MHz)
- ◆ Easy maintenance
- ◆ Strong mechanical structure

TECHNICAL SPECIFICATIONS

Electrical Data

Voltage Supply	24 V DC (External AC power supply)
Power Consumption	90 W max
Current Consumption	2 A max @ 24 V
Operating Temperature	0 to +45 °C
Humidity	Up to 90% (non condensing)
Gain	9.5 dB nom. ±2dB
Power Out (1dB compression)	Min. 5W (Typ. 6W)
Input Return Loss	Min. -16dB (Typ. -20dB)
Output Return Loss	Min. -18dB (Typ. -20dB)
Load Mismatch (CW 30W F0 860MHz VSWR=2:1)	No degradation
P_{out} Common Amplif.	5W Ps IMD < -46dB
P_{out} DVB-T	1 Wrms shoulder < -36dBc (with precorrection)
DTV (8 VSB)	4 Wrms
P_{out} PEP	5 W IMD < -27 dBc
Power Input	800 mW

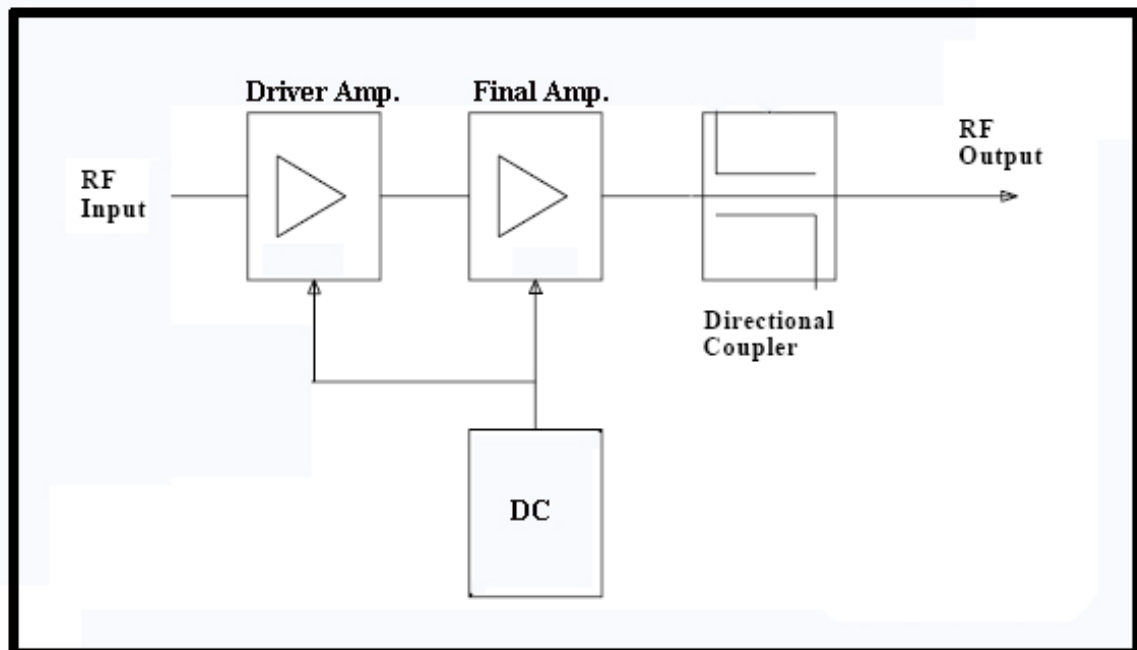
AVX-5/UHF

5 W PROFESSIONAL TV UHF LINEAR AMPLIFIER

Mechanical data and Interfaces

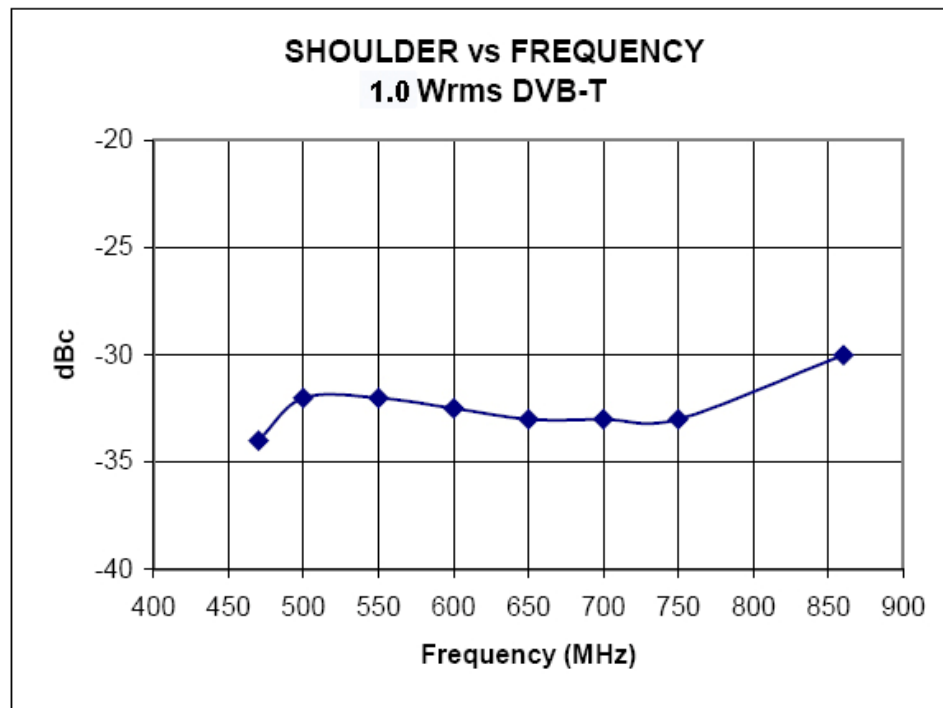
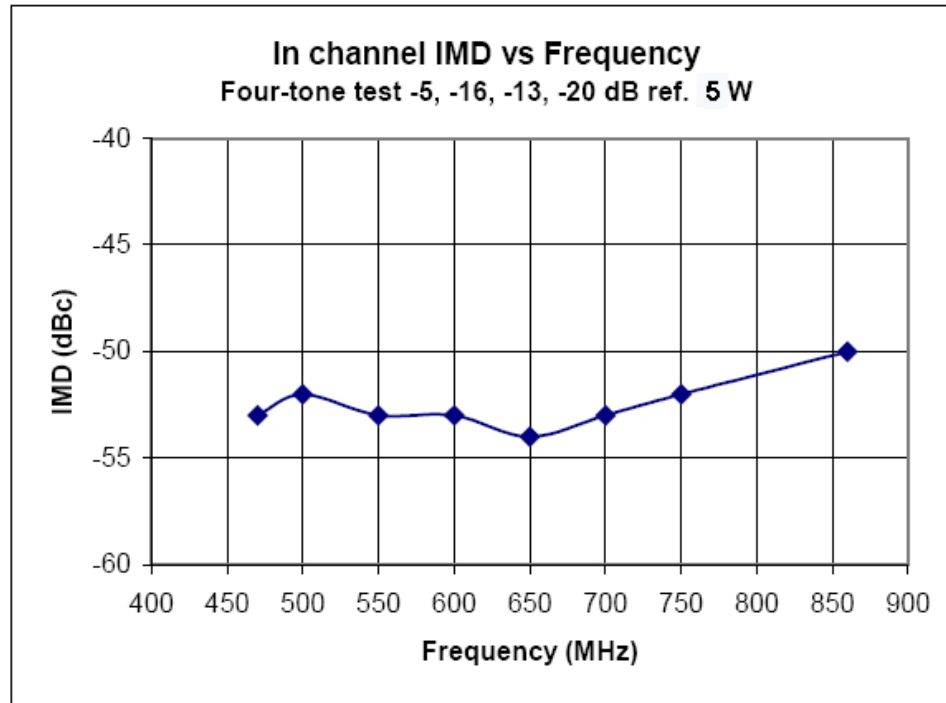
Dimensions	19" 3HU std 400mm depth
Weight	7 lbs
RF in	BNC connector rear panel
RF out	N connector rear panel
RF mon	N/A
RS 232	N/A
RS 485	N/A

Block Diagram



AVX-5/UHF

5 W PROFESSIONAL TV UHF LINEAR AMPLIFIER



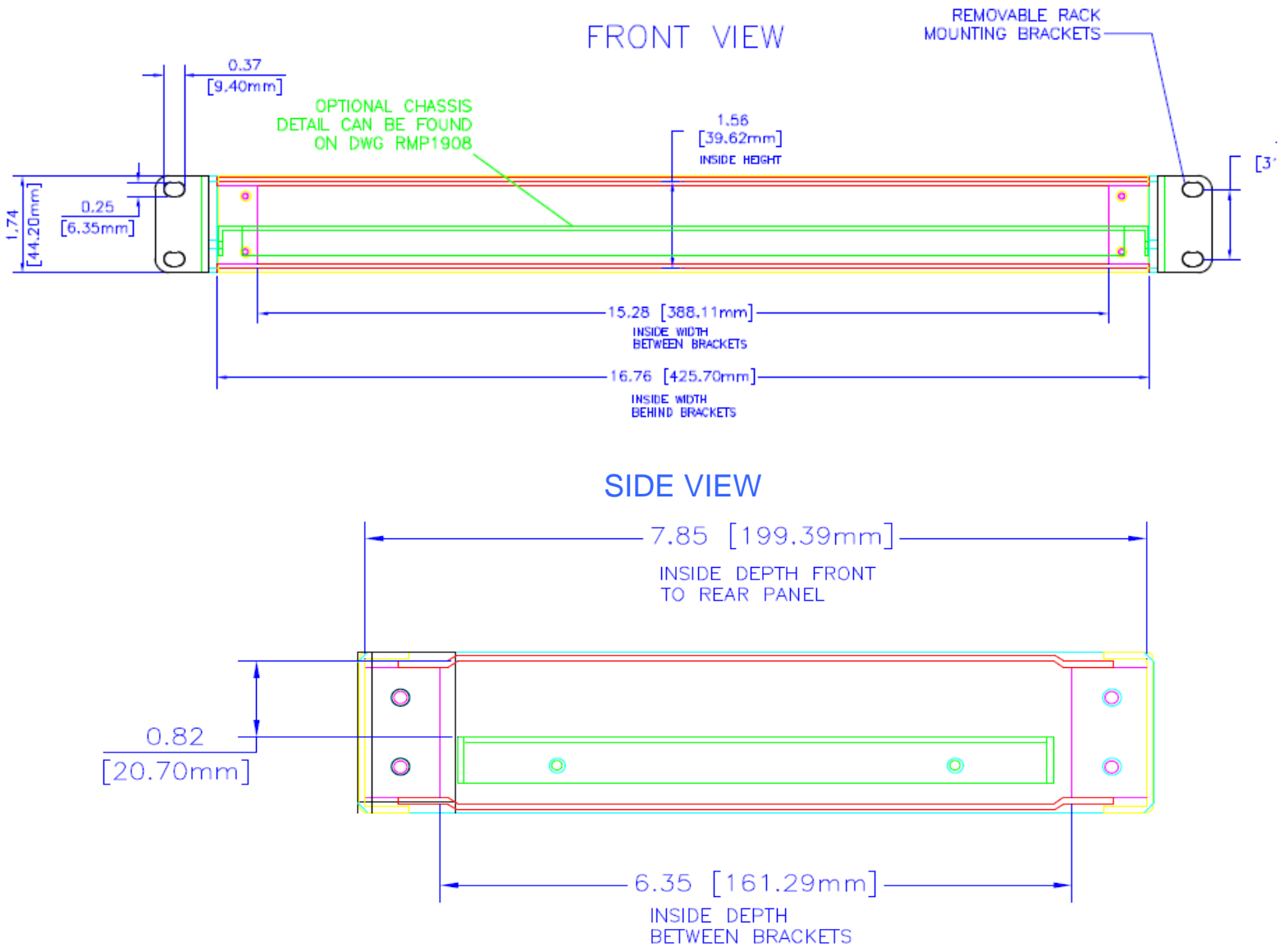
AVX-5/UHF

5 W PROFESSIONAL

TV UHF LINEAR AMPLIFIER



Mechanical Drawings



AVX-5/UHF

5 W PROFESSIONAL

TV UHF LINEAR AMPLIFIER

TOP VIEW

