

TECHNICAL INFORMATION

AVX-20/VHF is a Broadcast Power Amplifier designed for both digital and analog applications. The unit is the state of the art in terms of easy assembly, reliability and performances. The complete unit can assure the compliance to all relevant international standards.



- ◆ A class Power Amplifier
- ◆ Very low power input 3 mW
- ◆ 20 Wps Out
- ◆ 5 Wrms Out DVB-T
- ◆ DTV (8 VSB): 25 Wrms
- ◆ Broadband (175-225 MHz)
- ◆ Easy maintenance
- ◆ Strong mechanical structure

TECHNICAL SPECIFICATIONS

Electrical Data

Voltage Supply	24 V DC (External AC power supply)
Power Consumption	60 W max
Current Consumption	2.5 A max @ 24 V
Operating Temperature	0 to +45 °C
Humidity	Up to 90% (non condensing)
Gain	30 dB nom. ±2dB
Power Out (1dB compression)	Min. 20W (Typ. 38W)
Input Return Loss	Min. -16dB (Typ. -20dB)
Output Return Loss	Min. -18dB (Typ. -20dB)
Load Mismatch (CW 30W F0 860MHz VSWR=2:1)	No degradation
P_{out} Common Amplif.	20 W Ps IMD < -46dB
P_{out} DVB-T	5 Wrms shoulder < -36dBc (with precorrection)
DTV (8 VSB)	10 Wrms
P_{out} PEP	25 W IMD < -27 dBc
Power Input	3 mW

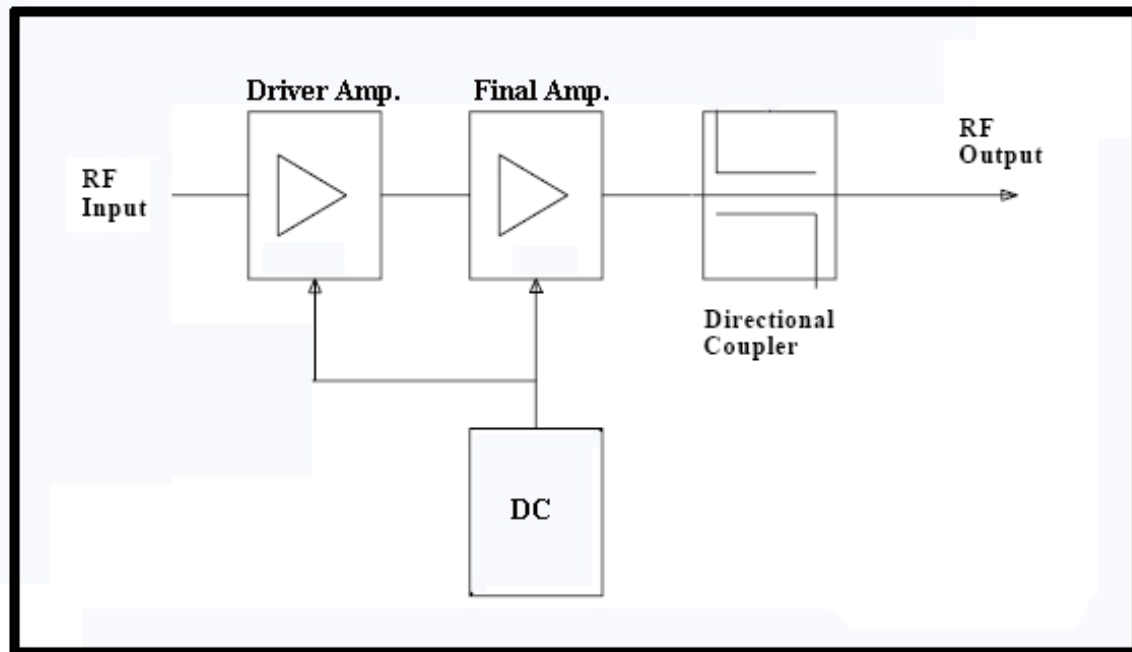
AVX-20/VHF

20 W PROFESSIONAL TV VHF LINEAR AMPLIFIER

Mechanical data and Interfaces

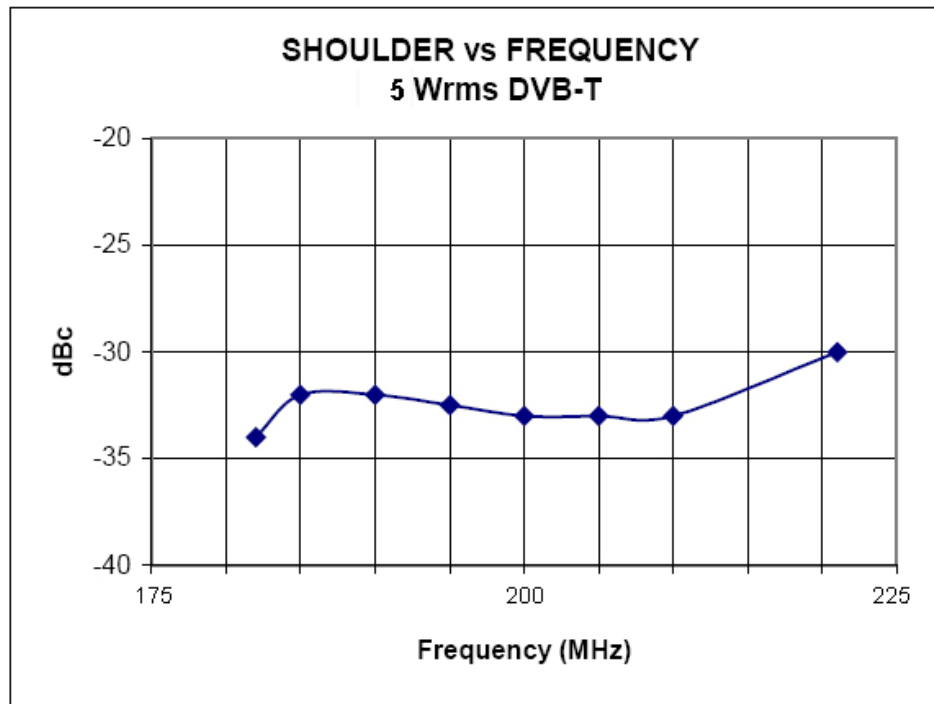
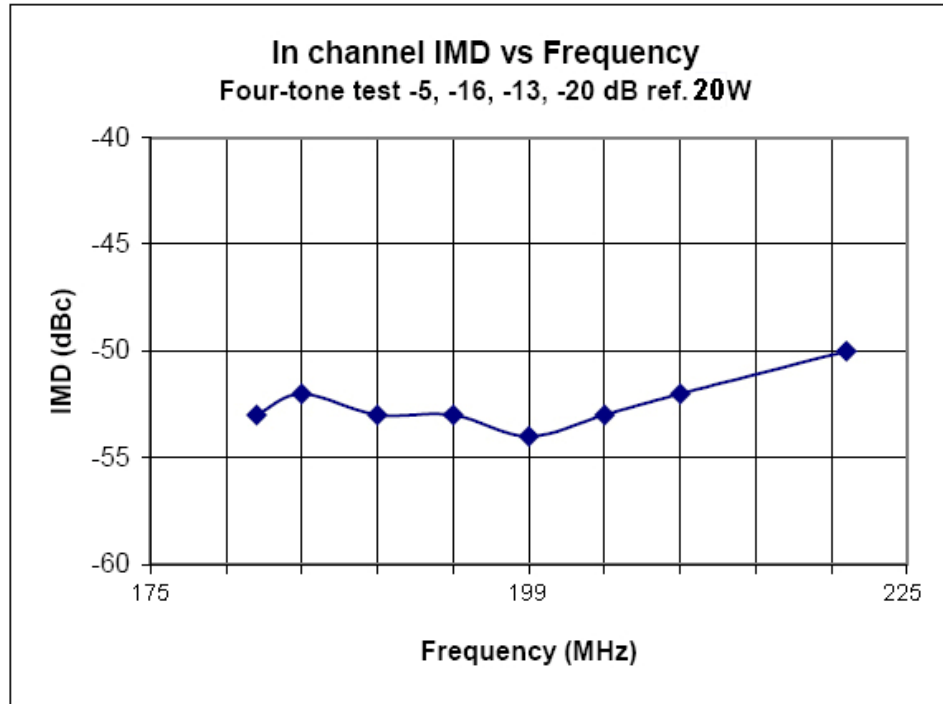
Dimensions	19" 3HU std 400mm depth
Weight	7 lbs
RF in	BNC connector rear panel
RF out	N connector rear panel
RF mon	N/A
RS 232	N/A
RS 485	N/A

Block Diagram



AVX-20/VHF

20 W PROFESSIONAL TV VHF LINEAR AMPLIFIER



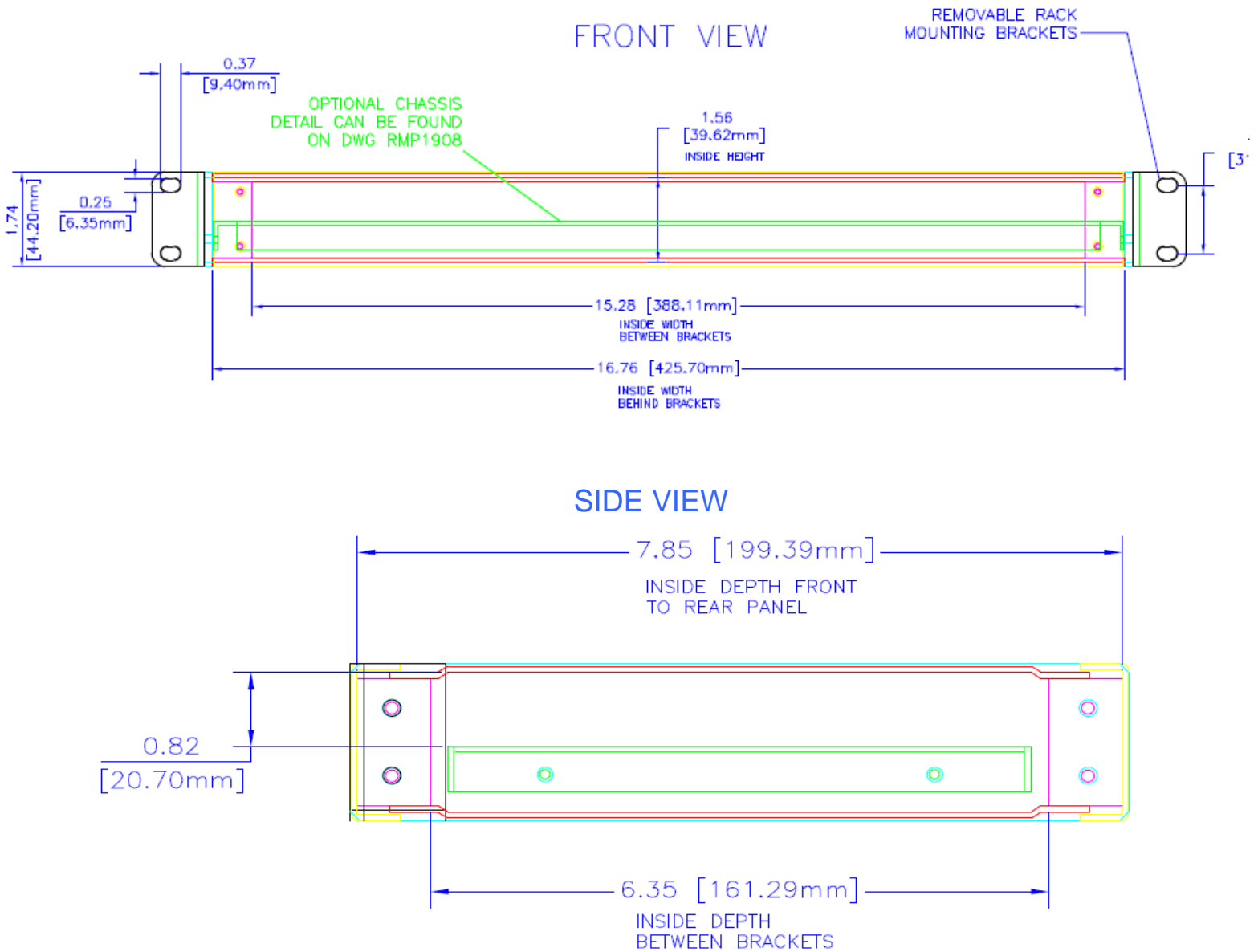
AVX-20/VHF

20 W PROFESSIONAL

TV VHF LINEAR AMPLIFIER



Mechanical Drawings



AVX-35/UHF

35 W PROFESSIONAL TV UHF LINEAR AMPLIFIER

TOP VIEW

